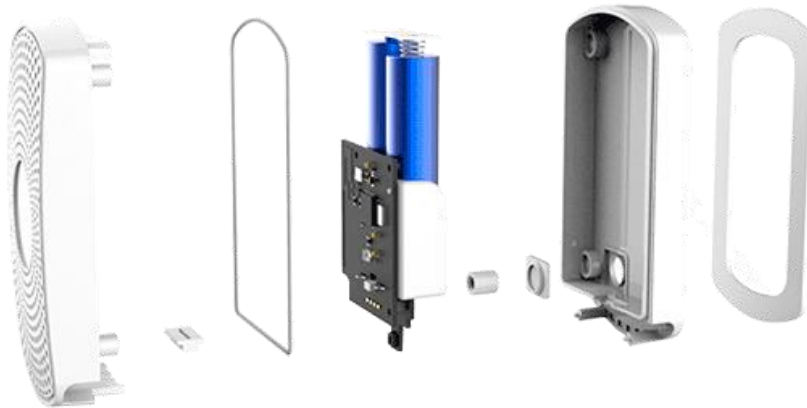
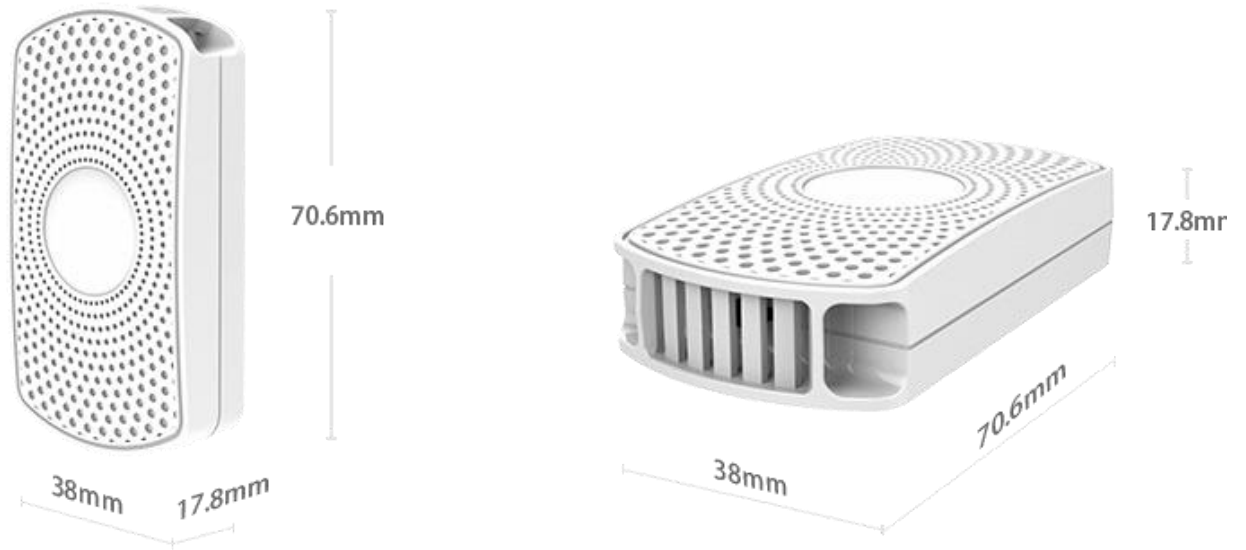


Temperature Humidity Sensor



Features	<p>IP65 waterproof level Over 100 meters broadcasting range Over 3 years battery life time Ultra-low power consumption chipset nRF52832 High-accuracy digital temperature and humidity sensor inside Very fast start-up and measurement time Real-time data converting, storing and uploading Excellent security mechanism Supporting the customization service such as logo, firmware and other</p>	
Physical Property	<p>Model - S1 Waterproof Level IP65 Case material ABS Case color White Product size 70.6x38x17.8mm Unit weight 43g Battery type 2xFR03 Li-Fe battery Voltage 3V Data Indication -N/A, need to access data by app or gateway Average power consumption 35uA Transmission Range Max 100m in open space Assemble 3M adhesive</p>	
Technical Parameter	<p>Temperature Measurement Range Measure Accuracy Measure Resolution Humidity Range Humidity Measure Measure Accuracy Measure Resolution</p>	<p>-40°C~70°C 10°C~50°C, ±0.5°C ≤10°C or ≥50°C, ±2°C 0.05°C 0%RH~100%RH 0%RH~90%RH, ±2.5%RH ≥90%RH, ±3.5%RH 0.05%RH</p>
Electrical Property	<p>Static Current - <3uA Peak Current <8mA Average Current <35uA Battery Type FR03 Battery Capacity 1250mAH Lifetime Over 3 years</p>	